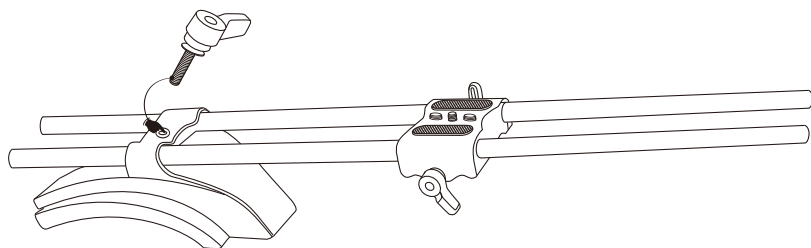
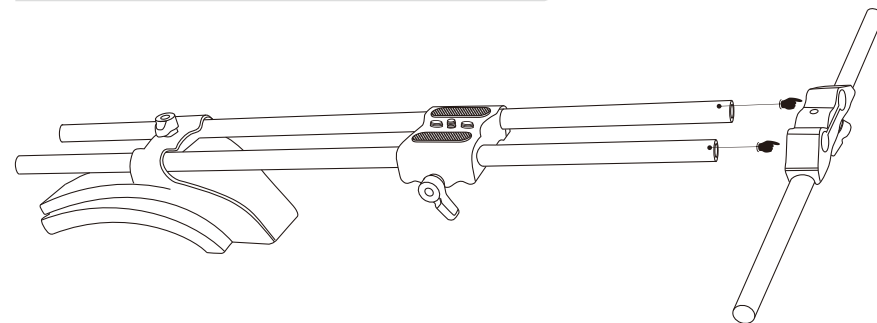


# SK-R02 SHOULDER MOUNT RIG ASSEMBLY INSTRUCTION

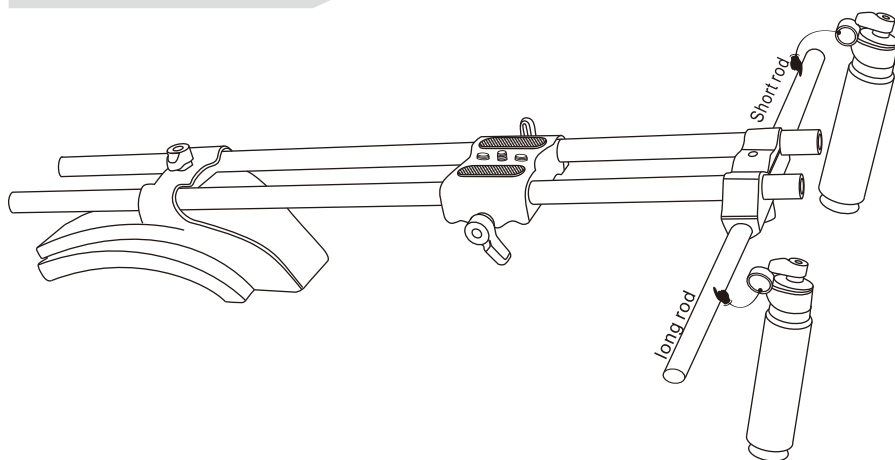
1. Install the lock nut



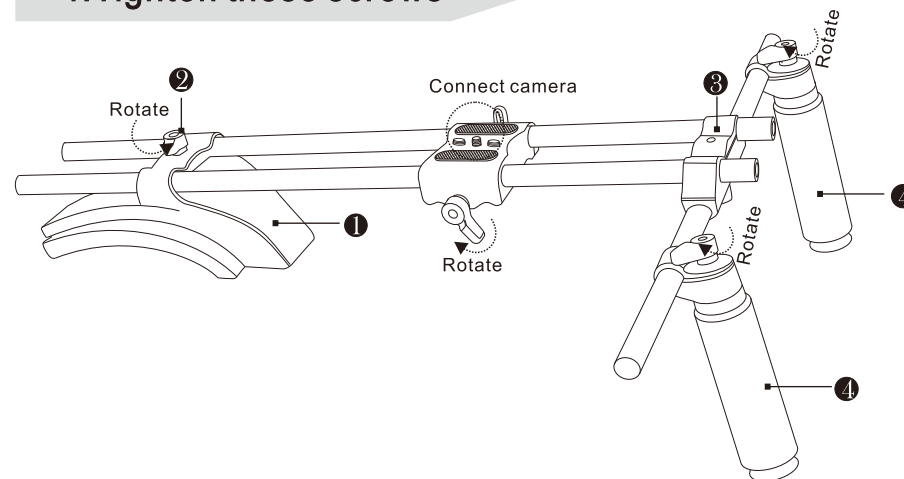
2. Install the front fixed bracket



3. Install grips



4. Tighten these screws



Item	1	2	3	4	5
Fixture pieces					
Quantity	1	1	1	2	1